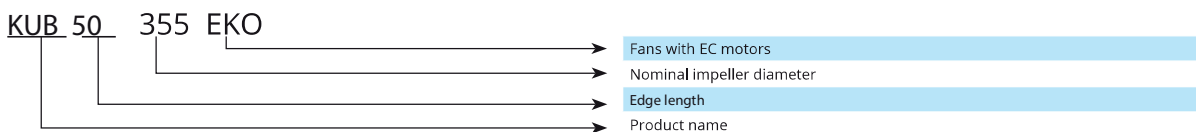




SQUARE BOX FANS

Features	<ul style="list-style-type: none"> <li>› 500 mm to 1000 mm edge length;</li> <li>› Airflow up to 15900 m<sup>3</sup>/h;</li> <li>› Can be mounted on floors, walls or ceilings;</li> <li>› Backward-curved impeller;</li> <li>› Fan speed 100% controllable by 0-10 V signal;</li> <li>› Energy efficient;</li> <li>› Acoustically insulated.</li> </ul>
Power supply	230V/50Hz/1f or 400V/50Hz/3f (67-500 and up).
Temperature range	From -20°C up to 60°C.
Sizes	50-355, 67-400, 67-500, 80-500, 80-560, 80-630, 100-630.
Construction	<ul style="list-style-type: none"> <li>› Casing: aluminium frame and galvanized steel walls;</li> <li>› Acoustic and thermal wall insulation – 20mm;</li> <li>› Fan: centrifugal impeller and external rotor motor;</li> <li>› Motor protection integrated into motor electronics;</li> <li>› Motor protection class: IP54;</li> <li>› Terminal box protection class: IP55.</li> </ul>
Installation	<ul style="list-style-type: none"> <li>› Device can only be used indoors.</li> <li>› Not suitable for polluted air or volatile and explosive gases.</li> </ul>
Speed control options	<ul style="list-style-type: none"> <li>› 10 kΩ potentiometer;</li> <li>› External signal 0-10 VDC/PWM from user controller.</li> <li>› Can be connected directly to optional constant pressure sensors, CO<sub>2</sub>, RH or an on/off switch.</li> </ul>

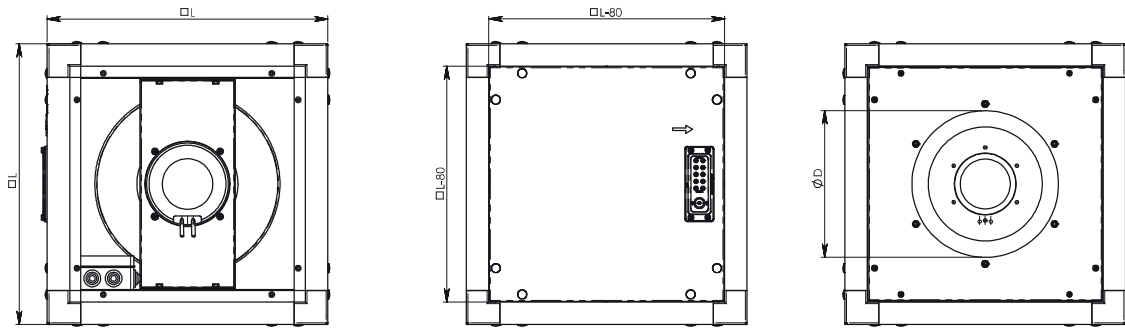


### Accessories

<p>0-10V speed controller</p> <p>MTP010 p. 128</p>	<p>Flexible connection</p> <p>LJ/PG p. 190</p>	<p>Damper for rectangular ducts</p> <p>SSK p. 180</p>	<p>Rectangular duct silencer</p> <p>SKS p. 173</p>	<p>Main switch</p> <p>Main switch p. 164</p>	<p>Flange-adapter</p> <p>PR p. 191</p>
--	--	---	--	--	--

The company reserves the right to make changes of technical data without prior notice

# KUB EKO

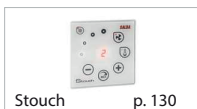


Type	Dimensions [mm]	
	ØD	L
KUB 50-355 EKO	261	500
KUB 67-400 EKO	325	670
KUB 67-500 EKO	412	670
KUB 80-500 EKO	410	800
KUB 80-560 EKO	461	800
KUB 80-630 EKO	512	800
KUB 100-630 EKO	510	1000

Type	Accessories							
	MTP 010	Stouch	S-RCO2-F2 S-KCO2	S-RFF-U- D-F2 S-KFF-U	LJ/PG SSK	SKS	Main switch	PR
KUB 50-355 EKO	+	+	+	+	420x420	460x460	BWS316 Y TPN	420x420-355
KUB 67-400 EKO	+	+	+	+	590x590	630x630	BWS316 Y TPN	590x590-400
KUB 67-500 EKO	+	+	+	+	590x590	630x630	BWS316 Y TPN	590x590-450
KUB 80-500 EKO	+	+	+	+	720x720	760x760	BWS316 Y TPN	590x590-500
KUB 80-560 EKO	+	+	+	+	720x720	760x760	BWS316 Y TPN	695x695-560
KUB 80-630 EKO	+	+	+	+	720x720	760x760	BWS316 Y TPN	695x695-630
KUB 100-630 EKO	+	+	+	+	920x920	960x960	BWS316 Y TPN	920x920-710

SQUARE BOX FANS

Controller



Stouch p. 130

CO2 sensor



S-RCO2-F2 p. 162

Humidity sensor



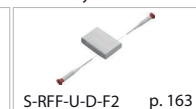
S-KFF-U p. 163

CO2 sensor



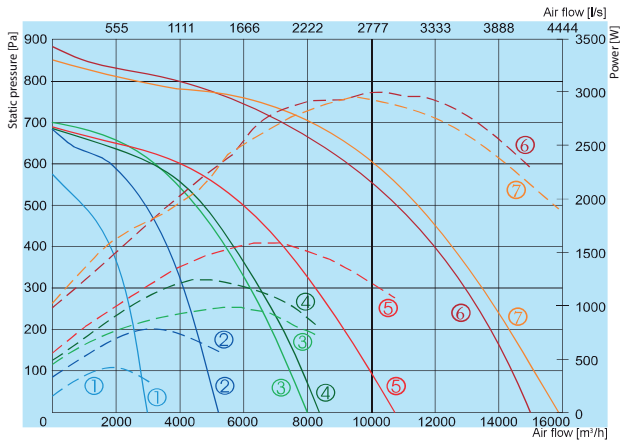
S-KCO2 p. 162

Humidity sensor

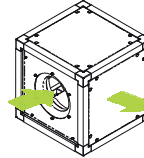


S-RFF-U-D-F2 p. 163

# KUB EKO



Centrifugal discharge



- ① KUB 50-355 EKO
  - ② KUB 67-400 EKO
  - ③ KUB 67-500 EKO
  - ④ KUB 80-500 EKO
  - ⑤ KUB 80-560 EKO
  - ⑥ KUB 80-630 EKO
  - ⑦ KUB 100-630 EKO
- Performance  
- - - Power consumption

SQUARE BOX FANS

		50-355	67-400	67-500	80-500	80-560	80-630	100-630
Voltage/Frequency	[V/Hz]	230/50	230/50	400/50	400/50	400/50	400/50	400/50
Power consumption	[kW]	0,415	0,790	1,275	1,240	1,590	3,000	2,935
Current	[A]	1,95	3,55	2,04	1,96	2,49	4,55	4,51
Speed	[min <sup>-1</sup> ]	2010	1700	1400	1400	1230	1230	1230
Max. airflow	[m <sup>3</sup> /h]	3000	5220	8070	8370	10740	15000	15900
Min/Max ambient air temperature	[°C]	-20/60	-20/60	-20/60	-20/60	-20/40	-20/60	-20/60
Weight	[kg]	28	50	51	75	87	73	116
Wiring diagram		No.1	No.2	No.2	No.2	No.2	No.2	No.2
Protection class:	motor	IP-54	IP-54	IP-54	IP-54	IP-54	IP-54	IP-54
	terminal box	IP-55	IP-55	IP-55	IP-55	IP-55	IP-55	IP-55
Comply with ERP		2018	2018	2018	2018	2018	2018	2018

80-560	Lwa total, dB(A)	LWA, dB(A)						
		125 Hz	250 Hz	500 Hz	1 kHz	2 kHz	4 kHz	8 kHz
Inlet	80	68	72	73	73	72	69	67
Outlet	82	67	73	77	75	74	70	67
Surrounding	68	56	62	62	60	59	56	54

Measured at 8566 m<sup>3</sup>/h, 151 Pa

80-630	Lwa total, dB(A)	LWA, dB(A)						
		125 Hz	250 Hz	500 Hz	1 kHz	2 kHz	4 kHz	8 kHz
Inlet	83	69	78	76	77	75	71	67
Outlet	85	68	76	81	79	78	73	71
Surrounding	73	58	67	67	66	64	59	57

Measured at 11073 m<sup>3</sup>/h, 183 Pa

100-630	Lwa total, dB(A)	LWA, dB(A)						
		125 Hz	250 Hz	500 Hz	1 kHz	2 kHz	4 kHz	8 kHz
Inlet	85	69	79	78	77	76	74	73
Outlet	87	68	77	82	80	79	75	76
Surrounding	76	60	69	71	69	67	64	60

Measured at 13359 m<sup>3</sup>/h, 149 Pa

50-355	Lwa total, dB(A)	LWA, dB(A)						
		125 Hz	250 Hz	500 Hz	1 kHz	2 kHz	4 kHz	8 kHz
Inlet	69	50	59	65	62	61	57	53
Outlet	73	51	62	68	69	66	61	55
Surrounding	56	38	47	51	50	47	42	39

Measured at 2366 m<sup>3</sup>/h, 150 Pa

67-400	Lwa total, dB(A)	LWA, dB(A)						
		125 Hz	250 Hz	500 Hz	1 kHz	2 kHz	4 kHz	8 kHz
Inlet	72	59	62	68	65	62	63	61
Outlet	76	58	64	70	73	68	64	60
Surrounding	60	45	51	56	54	49	47	45

Measured at 4264 m<sup>3</sup>/h, 150 Pa

67-500	Lwa total, dB(A)	LWA, dB(A)						
		125 Hz	250 Hz	500 Hz	1 kHz	2 kHz	4 kHz	8 kHz
Inlet	76	64	69	71	67	67	65	64
Outlet	80	61	72	75	75	71	67	65
Surrounding	62	48	57	57	55	52	50	49

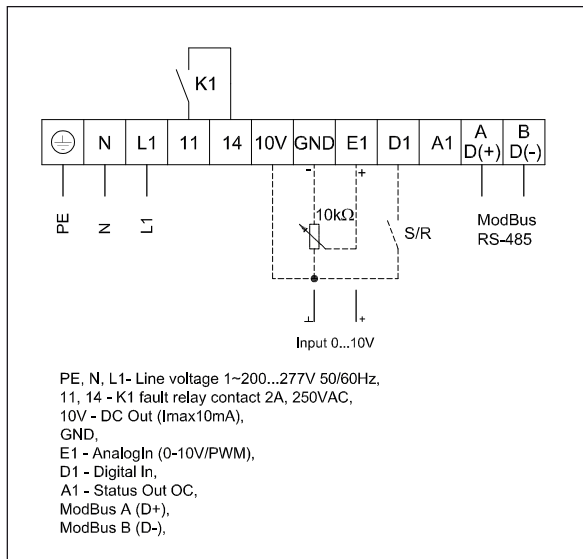
Measured at 6138 m<sup>3</sup>/h, 150 Pa

80-500	Lwa total, dB(A)	LWA, dB(A)						
		125 Hz	250 Hz	500 Hz	1 kHz	2 kHz	4 kHz	8 kHz
Inlet	79	67	72	74	70	69	67	65
Outlet	83	69	74	78	76	74	72	67
Surrounding	66	54	59	61	59	55	54	50

Measured at 6907 m<sup>3</sup>/h, 181 Pa

The fan characteristic curves were determined in accordance with EN ISO 5801. The sound levels were determined in accordance with DIN 45635 resp. ISO 3744 at a distance of 1 m from the fan.

Wiring diagram No.1



Wiring diagram No.2

